

ARTISTE PICASSO™
user manual

©2021 ELATION PROFESSIONAL all rights reserved. Information, specifications, diagrams, images, and instructions herein are subject to change without notice. ELATION PROFESSIONAL logo and identifying product names and numbers herein are trademarks of ELATION PROFESSIONAL. Copyright protection claimed includes all forms and matters of copyrightable materials and information now allowed by statutory or judicial law or hereinafter granted. Product names used in this document may be trademarks or registered trademarks of their respective companies and are hereby acknowledged. All non-ELATION brands and product names are trademarks or registered trademarks of their respective companies.

ELATION PROFESSIONAL and all affiliated companies hereby disclaim all liabilities for property, equipment, building, and electrical damages, injuries to any persons, and direct or indirect economic loss associated with the use or reliance of any information contained within this document, and/or because of the improper, unsafe, insufficient, and negligent assembly, installation, rigging, and operation of this product.

Elation Professional USA | 6122 S. Eastern Ave. | Los Angeles, CA. 90040
 323-582-3322 | 323-832-9142 fax | www.elationlighting.com | info@elationlighting.com

Elation Professional B.V. | Junostraat 2 | 6468 EW Kerkrade, The Netherlands
 +31 45 546 85 66 | +31 45 546 85 96 fax | www.elationlighting.eu | info@elationlighting.eu

Elation Professional Mexico | AV Santa Ana 30 | Parque Industrial Lerma, Lerma, Mexico 52000
 +52 (728) 282-7070



DOCUMENT VERSION

Due to additional product features and/or enhancements, an updated version of this document may be available online. Please check www.elationlighting.com for the latest revision/update of this manual, before beginning installation and/or programming.

Date	Document Version	Software Version ≥	DMX Channel Modes	Notes
05/03/18	1.0	1.1.0	36 / 62	Initial release.
05/08/18	1.2	1.1.2	NO CHANGE	Added Refresh Rate values to DMX control.
05/09/18	1.4	N/C	NO CHANGE	Added USB software update instructions.
05/15/18	1.6	N/C	NO CHANGE	Updated max power consumption to 1000W.
10/05/18	1.8	1.1.4	See DMX Chart	Updated Frost Channel DMX values.
12/05/18	2.0	N/C	NO CHANGE	Updated release.
07/17/19	2.1	1.1.5	NO CHANGE	Updated Select Signal System Menu.
06/22/20	2.2	N/C	NO CHANGE	Updated thermal, box contents and QR Code
08/21/20	2.4	N/C	NO CHANGE	Updated framing index
10/06/20	2.6	N/C	NO CHANGE	Updated specifications
02/23/21	2.8	1.1.7	NO CHANGE	Updated Software
03/16/21	3.0	N/C	NO CHANGE	Updated sun protection, & FCC

CONTENTS

General Information	4
Limited Warranty (USA Only)	5
Safety Guidelines	6
Maintenance Guidelines	8
Fixture Overview	9
Colors and Gobos	10
Custom Gobos	11
Installation Guidelines	12
System Menu	16
E-FLY Wireless DMX Set Up	25
E-FLY Wireless Installation Location Guidelines	26
DMX Channel Functions And Values	27
Error Codes	37
Specifications	39
Optional Accessories	41

GENERAL INFORMATION

INTRODUCTION

Please read and understand the instructions in this manual carefully and thoroughly before attempting to operate this device. These instructions contain important safety and use information.

UNPACKING

Every device has been thoroughly tested and has been shipped in perfect operating condition. Carefully check the shipping carton for damage that may have occurred during shipping. If the carton is damaged, carefully inspect the device for damage, and be sure all accessories necessary to install and operate the device have arrived intact. In the event damage has been found or parts are missing, please contact our customer support team for further instructions. Please do not return this device to your dealer without first contacting customer support. Please do not discard the shipping carton in the trash. Please recycle whenever possible.

BOX CONTENTS

Power Cable
Omega Brackets (x2)

CUSTOMER SUPPORT

Contact ELATION Service for any product related service and support needs. Also visit forums.elationlighting.com with questions, comments, or suggestions.

ELATION SERVICE USA - Monday - Friday 8:00am to 4:30pm PST
323-582-3322 | Fax 323-832-9142 | support@elationlighting.com

ELATION SERVICE EUROPE - Monday - Friday 08:30 to 17:00 CET
+31 45 546 85 63 | Fax +31 45 546 85 96 | support@elationlighting.eu

REPLACEMENT PARTS please visit parts.elationlighting.com



I M P O R T A N T N O T I C E !

THERE ARE NO USER SERVICEABLE PARTS INSIDE THIS UNIT.

DO NOT ATTEMPT ANY REPAIRS YOURSELF; DOING SO WILL VOID YOUR MANUFACTURES WARRANTY. DAMAGES RESULTING FROM MODIFICATIONS TO THIS FIXTURE AND/OR THE DISREGARD OF SAFETY INSTRUCTIONS AND GUIDELINES IN THIS MANUAL VOID THE MANUFACTURES WARRANTY AND ARE NOT SUBJECT TO ANY WARRANTY CLAIMS AND/OR REPAIRS.

LIMITED WARRANTY (USA ONLY)

- A. Elation Professional hereby warrants, to the original purchaser, Elation Professional products to be free of manufacturing defects in material and workmanship for a period of two years (730 days), and Elation Professional product rechargeable batteries to be free of manufacturing defects in material and workmanship for a period of six months (180 days), from the original date of purchase. This warranty excludes discharge lamps and all product accessories. This warranty shall be valid only if the product is purchased within the United States of America, including possessions and territories. It is the owner's responsibility to establish the date and place of purchase by acceptable evidence, at the time service is sought.
- B. For warranty service, send the product only to the Elation Professional factory. All shipping charges must be pre-paid. If the requested repairs or service (including parts replacement) are within the terms of this warranty, Elation Professional will pay return shipping charges only to a designated point within the United States. If any product is sent, it must be shipped in its original package and packaging material. No accessories should be shipped with the product. If any accessories are shipped with the product, Elation Professional shall have no liability whatsoever for loss and/or or damage to any such accessories, nor for the safe return thereof.
- C. This warranty is void if the product serial number and/or labels are altered or removed; if the product is modified in any manner which Elation Professional concludes, after inspection, affects the reliability of the product; if the product has been repaired or serviced by anyone other than the Elation Professional factory unless prior written authorization was issued to purchaser by Elation Professional; if the product is damaged because not properly maintained as set forth in the product instructions, guidelines and/or user manual.
- D. This is not a service contract, and this warranty does not include any maintenance, cleaning, or periodic check-up. During the periods as specified above, Elation Professional will replace defective parts at its expense, and will absorb all expenses for warranty service and repair labor by reason of defects in material or workmanship. The sole responsibility of Elation Professional under this warranty shall be limited to the repair of the product, or replacement thereof, including parts, at the sole discretion of Elation Professional. All products covered by this warranty were manufactured after January 1, 1990, and bare identifying marks to that effect.
- E. Elation Professional reserves the right to make changes in design and/or performance improvements upon its products without any obligation to include these changes in any products theretofore manufactured.
- F. No warranty, whether expressed or implied, is given or made with respect to any accessory supplied with the products described above. Except to the extent prohibited by applicable law, all implied warranties made by Elation Professional in connection with this product, including warranties of merchantability or fitness, are limited in duration to the warranty periods set forth above. And no warranties, whether expressed or implied, including warranties of merchantability or fitness, shall apply to this product after said periods have expired. The consumer's and/or dealer's sole remedy shall be such repair or replacement as is expressly provided above; and under no circumstances shall Elation Professional be liable for any loss and/or damage, direct and/or consequential, arising out of the use of, and/or the inability to use, this product.
- G. This warranty is the only written warranty applicable to Elation Professional products and supersedes all prior warranties and written descriptions of warranty terms and conditions heretofore published.

WARRANTY RETURNS

All returned service items whether under warranty or not, must be freight pre-paid and accompany a return authorization (R.A.) number. The R.A. number must be clearly written on the outside of the return package. A brief description of the problem as well as the R.A. number must also be written down on a piece of paper and included in the shipping container. If the unit is under warranty, you must provide a copy of your proof of purchase invoice. Items returned without a R.A. number clearly marked on the outside of the package will be refused and returned at customer's expense. You may obtain a R.A. number by contacting customer support. **ONLY** Use the original packaging and materials to transport the fixture in for service.

SAFETY GUIDELINES

This fixture is an extremely sophisticated piece of electronic equipment. To guarantee a smooth operation, it is important to follow all instructions and guidelines in this manual. The manufacturer of this device is not responsible for injury and/or damages resulting from the misuse of this fixture due to the disregard of the information printed in this manual. Only qualified and/or certified personnel should perform installation of this fixture and only the original rigging parts (omega brackets) included with this fixture should be used for installation. Any modifications to the fixture and/or the mounting hardware included will void the original manufactures warranty and increase the risk of damage and/or personal injury.



PROTECTION CLASS 1 - FIXTURE MUST BE PROPERLY GROUNDED

**THERE ARE NO USER SERVICEABLE PARTS INSIDE THIS UNIT.
DO NOT ATTEMPT ANY REPAIRS YOURSELF; DOING SO WILL VOID YOUR MANUFACTURES WARRANTY. DAMAGES RESULTING FROM MODIFICATIONS TO THIS FIXTURE AND/OR THE DISREGARD OF SAFETY INSTRUCTIONS AND GUIDELINES IN THIS MANUAL VOID THE MANUFACTURES WARRANTY AND ARE NOT SUBJECT TO ANY WARRANTY CLAIMS AND/OR REPAIRS.**



**DO NOT PLUG FIXTURE INTO A DIMMER PACK!
NEVER OPEN THIS FIXTURE WHILE IN USE!
UNPLUG POWER BEFORE SERVICING FIXTURE!
NEVER TOUCH FIXTURE DURING OPERATION, AS IT MAY BE HOT!
KEEP FLAMMABLE MATERIALS AWAY FROM FIXTURE!**



**NEVER LOOK DIRECTLY INTO THE LIGHT SOURCE!
RETINA INJURY RISK - MAY INDUCE BLINDNESS!
SENSITIVE PERSONS MAY SUFFER AN EPILEPTIC SHOCK!**



**INDOOR / DRY LOCATIONS USE ONLY!
DO NOT EXPOSE FIXTURE TO RAIN AND MOISTURE!**



**MINIMUM DISTANCE TO OBJECTS/SURFACES
MUST BE 6.6 FEET (2.0 METERS)
MAXIMUM TEMPERATURE OF EXTERNAL SURFACE
185° F (85°C)**

SAFETY GUIDELINES

DO NOT TOUCH the fixture housing during operation. Turn OFF the power and allow approximately 15 minutes for the fixture to cool down before serving.

DO NOT shake fixture, avoid brute force when installing and/or operating fixture.

DO NOT operate fixture if the power cord is frayed, crimped, damaged and/or if any of the power cord connectors are damaged and do not insert into the fixture securely with ease. **NEVER** force a power cord connector into the fixture. If the power cord or any of its connectors are damaged, replace it immediately with a new one of similar power rating.

DO NOT block any air ventilation slots.

All fan and air inlets must remain clean and never blocked.

Allow approx. 6" (15cm) between fixture and other devices or a wall for proper cooling.

When installing fixture in a suspended environment, always use mounting hardware that is no less than M10 x 25 mm, and always install fixture with an appropriately rated safety cable.

Always disconnect fixture from main power source before performing any type of service and/or cleaning procedure. Only handle the power cord by the plug end, never pull out the plug by tugging the wire portion of the cord.

During the initial operation of this fixture, a light smoke or smell may emit from the interior of the fixture. This is a normal process and is caused by excess paint in the interior of the casing burning off from the heat associated with the lamp and will decrease gradually over time.

Consistent operational breaks will ensure fixture will function properly for many years.

MAINTENANCE GUIDELINES



DISCONNECT POWER BEFORE PERFORMING ANY MAINTENANCE!

CLEANING

Frequent cleaning is recommended to insure proper function, optimized light output, and an extended life. The frequency of cleaning depends on the environment in which the fixture operates: damp, smoky or particularly dirty environments can cause greater accumulation of dirt on the fixture's optics. Clean the external lens surface at least every 20 days with a soft cloth to avoid dirt/debris accumulation.

NEVER use alcohol, solvents, or ammonia-based cleaners.

MAINTENANCE

Regular inspections are recommended to insure proper function and extended life.

There are no user serviceable parts inside this fixture, please refer all other service issues to an authorized Elation service technician. Should you need any spare parts, please order genuine parts from your local Elation dealer.

Please refer to the following points during routine inspections:

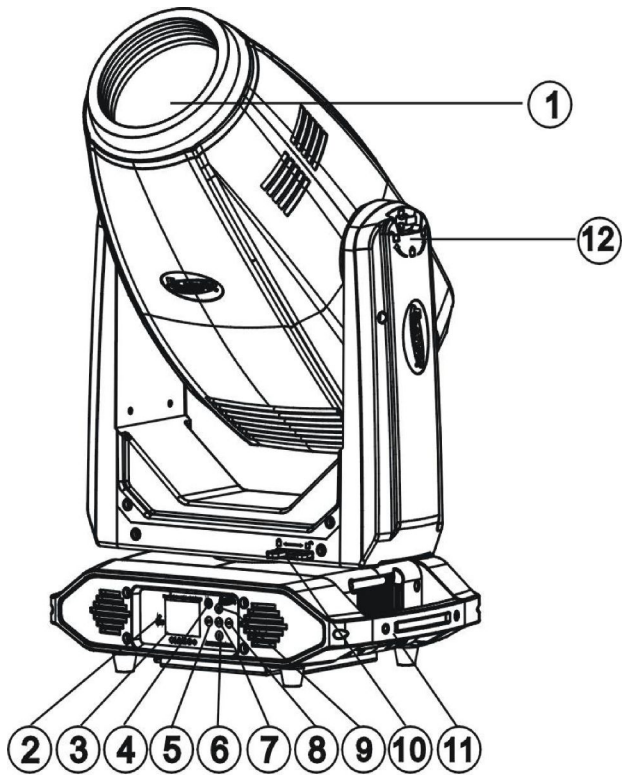
A detailed electric check by an approved electrical engineer every three months, to make sure the circuit contacts are in good condition and prevent overheating.

Be sure all screws and fasteners are securely tightened at all times. Loose screws may fall out during normal operation resulting in damage or injury as larger parts could fall.

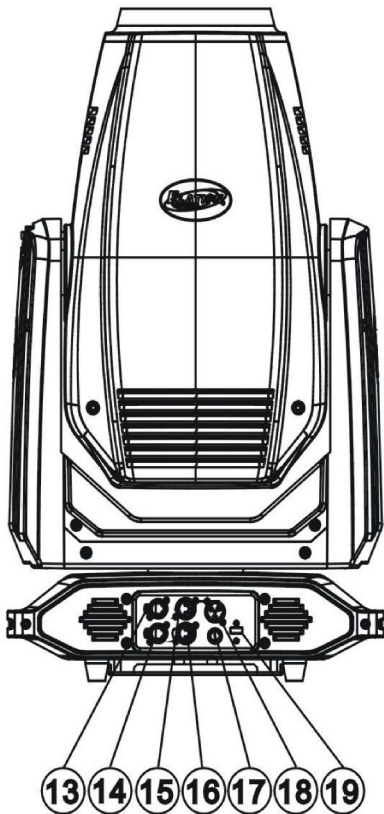
Check for any deformations on the housing, color lenses, rigging hardware and rigging points (ceiling, suspension, trussing). Deformations in the housing could allow for dust to enter into the fixture. Damaged rigging points or unsecured rigging could cause the fixture to fall and seriously injure a person(s).

Electric power supply cables must not show any damage, material fatigue or sediments. **NEVER** remove the ground prong from the power cable.

FIXTURE OVERVIEW

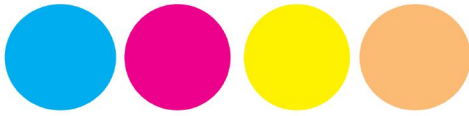


1. LED Lens Array
2. Wireless Indicator
3. LCD Control Menu Display
4. MODE/ESC Button
5. LEFT Button
6. DOWN Button
7. ENTER Button
8. RIGHT Button
9. UP Button
10. PAN Lock
11. Handel (s)
12. TILT Lock
13. RJ45 etherCON IN
14. RJ45 etherCON OUT
15. 5pin DMX IN
16. 5pin DMX OUT
17. Fuse
18. Power IN
19. Service Port



COLORS AND GOBOS

COLOR FLAGS



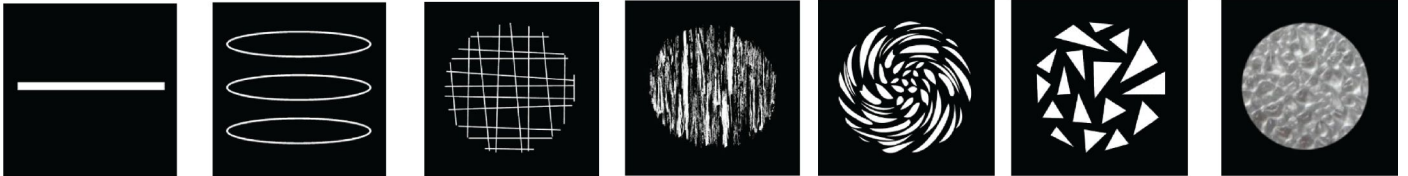
CYAN MAGENTA YELLOW C.T.O.

COLOR WHEEL



RED Pos. 1 GREEN Pos. 2 HIGH CRI Pos. 3 ORANGE Pos. 4 HALF MINUS GREEN Pos. 5 BLUE Pos. 6

INTERCHANGEABLE-ROTATING GLASS GOBO WHEEL 1



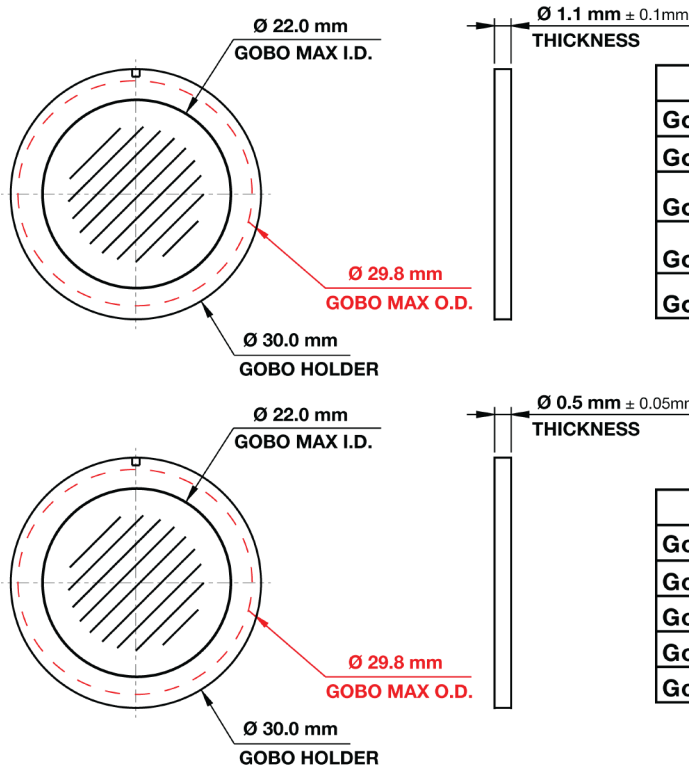
Pos. 1 Pos. 2 Pos. 3 Pos. 4 Pos. 5 Pos. 6 Pos. 7

INTERCHANGEABLE STATIC-FIXED METAL GOBO WHEEL 2



Pos. 1 Pos. 2 Pos. 3 Pos. 4 Pos. 5 Pos. 6 Pos. 7

CUSTOM GOBOS



ROTATING GLASS GOBOS - WHEEL 1	
Gobo O.D. (Max. Outer Diameter)	$\varnothing 29.8 \text{ mm}$
Gobo I.D. (Max. Image Diameter)	$\varnothing 22 \text{ mm}$
Gobo Holder Diameter	$\varnothing 30 \text{ mm}$
Gobo Thickness	$1.1 \text{ mm} \pm 0.1 \text{ mm}$
Gobo Material	BOROFLOAT

STATIC-FIXED METAL GOBOS - WHEEL 2	
Gobo O.D. (Max. Outer Diameter)	$\varnothing 29.8 \text{ mm}$
Gobo I.D. (Max. Image Diameter)	$\varnothing 22 \text{ mm}$
Gobo Holder Diameter	$\varnothing 30 \text{ mm}$
Gobo thickness	$0.5 \text{ mm} \pm 0.05 \text{ mm}$
Gobo material	ALUMINUM

* * * IMPORTANT NOTICE REGARDING CUSTOM GOBOS * * *

Due to the high temperature optical system, special material as listed above is required for custom gobos. Due to varying manufacturing processes and tolerances, it is highly recommended to provide a gobo sample and holder from the fixture to the custom gobo vendor for accurate sizing. Extended testing of custom gobo designs is highly recommended prior to use. Contact ELATION SERVICE for further information.

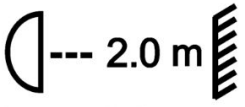

ELATION SERVICE USA - Monday - Friday 8:00am to 4:30pm PST

323-582-3322 | Fax 323-832-9142 | support@elationlighting.com

ELATION SERVICE EUROPE - Monday - Friday 08:30 to 17:00 CET

+31 45 546 85 63 | Fax +31 45 546 85 96 | support@elationlighting.eu

INSTALLATION GUIDELINES

<p>WARNING</p> <p>Minimum distance to lighted objects 2.0 meters. Maximum temperature of the external surface 85 °C. Minimum distance of inflammable materials from the surface 0.5m.</p>		
--	--	---



FLAMMABLE MATERIAL WARNING

Keep fixture minimum 5.0 feet (1.5m) away from flammable materials and/or pyrotechnics.



ELECTRICAL CONNECTIONS

A qualified electrician should be used for all electrical connections and/or installations.



USE CAUTION WHEN POWER LINKING OTHER MODEL FIXTURES AS THE POWER CONSUMPTION OF OTHER MODEL FIXTURES MAY EXCEED THE MAX POWER OUTPUT ON THIS FIXTURE. CHECK SILK SCREEN FOR MAX AMPS.



DO NOT INSTALL THE FIXTURE IF YOU ARE NOT QUALIFIED TO DO SO!

Fixture **MUST** be installed following all local, national, and country commercial electrical and construction codes and regulations.

Before rigging/mounting the fixture to any metal truss/structure or placing the fixture on any surface, a professional equipment installer **MUST** be consulted to determine if the metal truss/structure or surface is properly certified to safely hold the combined weight of the fixture, clamps, cables, and accessories.

Fixture ambient operating temperature range is **14° to 113°F. (-10° to 45°C)**

Do not use the fixture under or above this temperature.

Fixture should be installed in areas outside walking paths, seating areas, or away from areas where unauthorized personnel might reach the fixture by hand.

NEVER stand directly below the fixture when rigging, removing, or servicing.

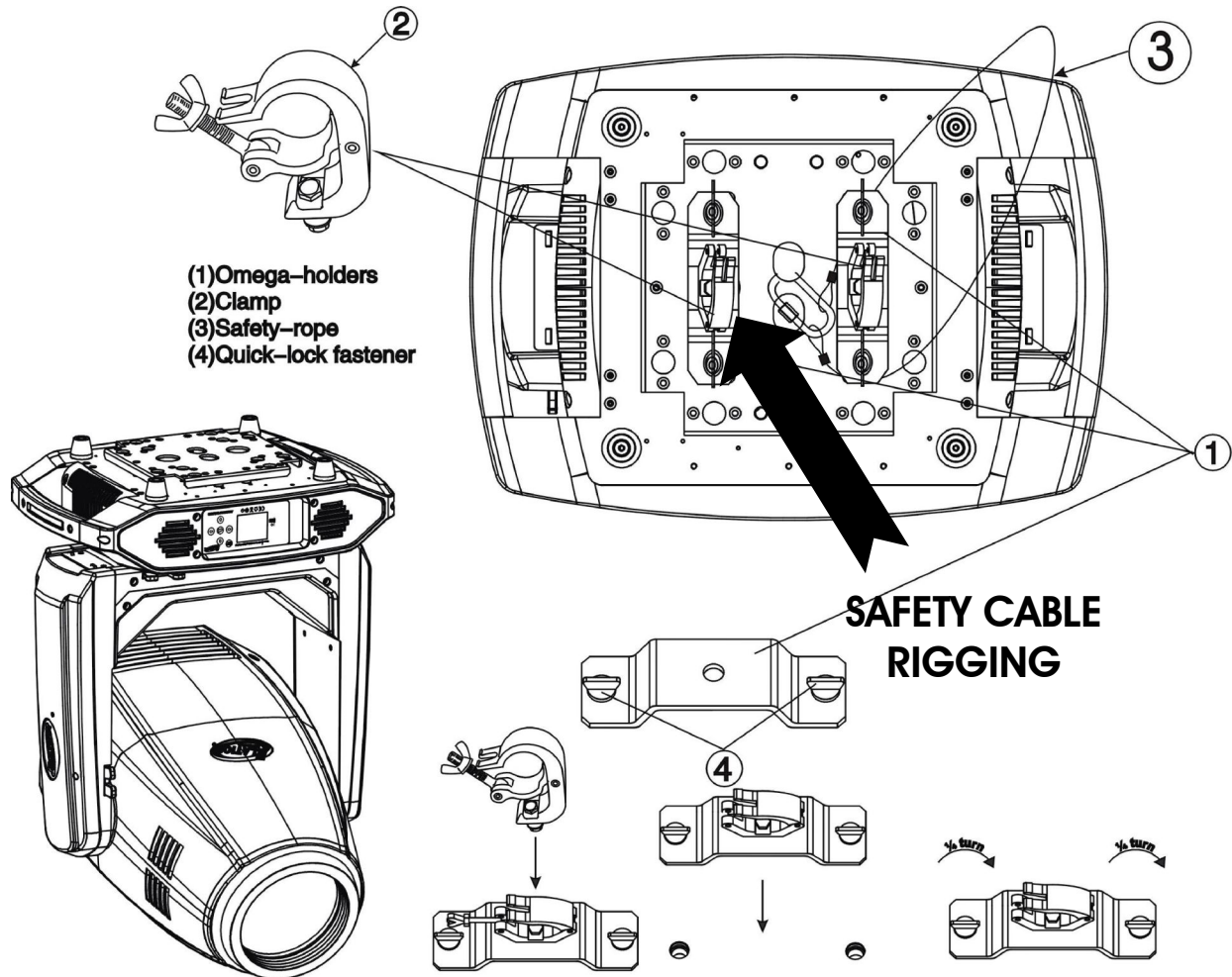
Overhead fixture installation must always be secured with a secondary safety attachment, such as an appropriately rated safety cable.

Allow approximately 15 minutes for the fixture to cool down before serving.

INSTALLATION GUIDELINES

OMEGA BRACKETS INSTALLATION

Insert the Omega Brackets into the matching holes on the bottom of the fixture. Secure the Omega Brackets to the fixture by turning each quick-lock fastener ¼ turn clockwise; making sure the fastener is completely locked.



CLAMP INSTALLATION

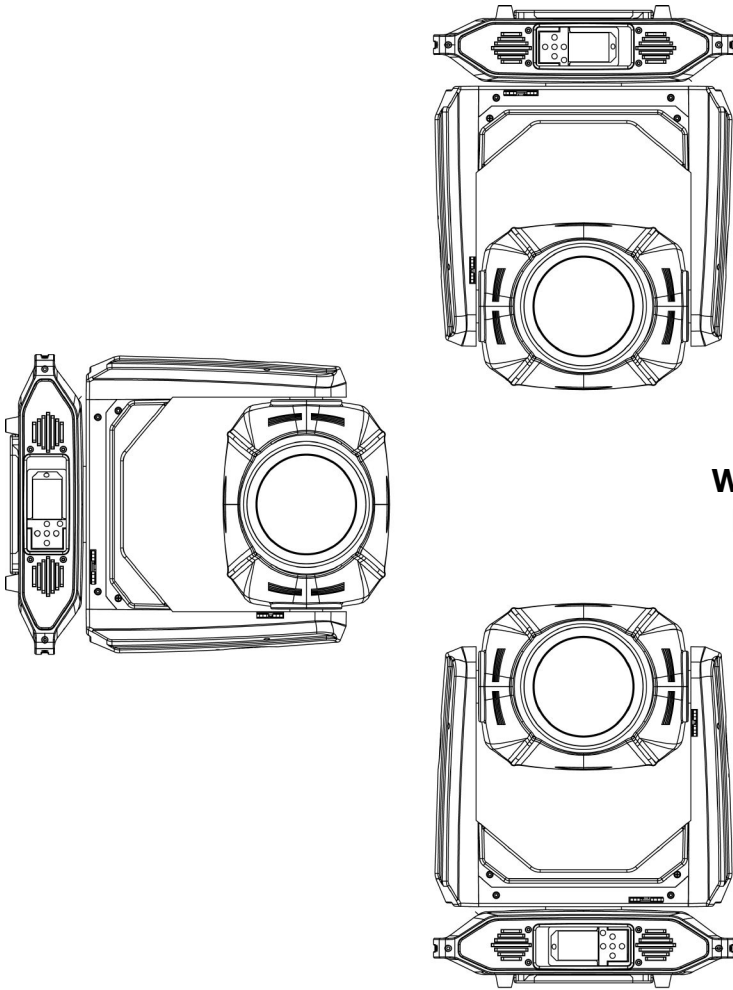
When mounting fixture to truss, be sure to secure an appropriately rated professional grade rigging clamp to the included **Omega Brackets** using an M10 screw fitted through the center hole of the **Omega Brackets**. The fixture provides a built-in rigging point for a **SAFETY CABLE**. Be sure to only use the designated rigging point for the safety cable and never secure a safety cable to a carrying handle.

INSTALLATION GUIDELINES

RIGGING

Overhead rigging requires extensive experience, including amongst others calculating working load limits, installation material being used, and periodic safety inspection of all installation material and the fixture. If you lack these qualifications, do not attempt the installation yourself. Improper installation can result in bodily injury.

Fixture is fully operational in the specific mounting positions illustrated below.



SAFETY CABLE
ALWAYS ATTACH A SAFETY CABLE
WHENEVER INSTALLING THIS FIXTURE
IN A SUSPENDED ENVIRONMENT TO
ENSURE THE FIXTURE WILL NOT
DROP IF THE CLAMP FAILS.

ART-NET CONNECTION

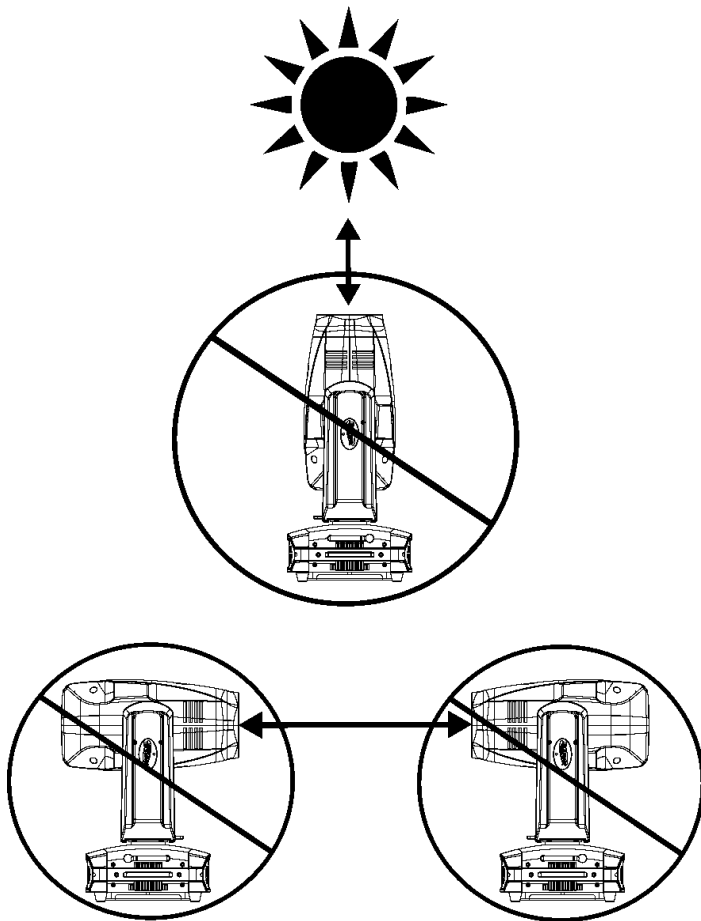
When connecting fixture to a network switch to control multiple devices, a **Gigabit Ethernet Switch** that supports **IGMP (Internet Group Management Protocol)** is required. Using a **Gigabit Ethernet Switch** that does not support **IGMP** can cause erratic behavior of all connected devices to the switch. IGMP: https://en.wikipedia.org/wiki/Internet_Group_Management_Protocol

INSTALLATION GUIDELINES

POTENTIAL INTERNAL FIXTURE DAMAGE FROM EXTERNAL SOURCES OF LIGHT BEAMS

External sources of light beams from direct sunlight, lighting moving head fixtures, and lasers, which are focused directly on the exterior housing and/or penetrate the front lens opening of ELATION lighting fixtures, can cause severe internal damage including burning to optics, dichroic color filters, glass and metal gobos, prisms, animation wheels, frost filters, iris, shutters, motors, belts, wiring, discharge lamps, and LEDs.

This issue is not specific only to ELATION lighting fixtures, it is a common issue with lighting fixtures from all manufacturers. Although there is no true way to fully prevent this issue from happening, the guidelines below can prevent any potential damage from occurring if followed. Contact ELATION Service for more details.



DO NOT EXPOSE THE FIXTURE AND/OR FRONT LENS OPENING TO LIGHT BEAMS FROM DIRECT SUNLIGHT, OTHER LIGHTING MOVING HEAD FIXTURES, AND LASERS WHILE UNPACKING, INSTALLATION, USE, AND EXTENDED IDLE TIMES OUTDOORS. DO NOT FOCUS A LIGHT BEAM FROM ONE LIGHTING FIXTURE DIRECTLY TOWARDS ANOTHER.

SUN PROTECTION MODE / HIBERNATION MODE

This state can be set via DMX, or will go into this state after 3 minutes without a DMX signal.

When the sun protection is activated, the pan-and-tilt function of the moving-head will position the lens away from direct sunlight, or other high intensity light source, to protect the internal belts, electronics etc. from burn damage.

When the unit is in the 'sun protection state', it uses its accelerometer sensors (X-Y-Z) (only present on discharge units and IP units) to position the front lens downwards, even when the unit(s) will be moved from its position. This will keep on changing the position of the head.

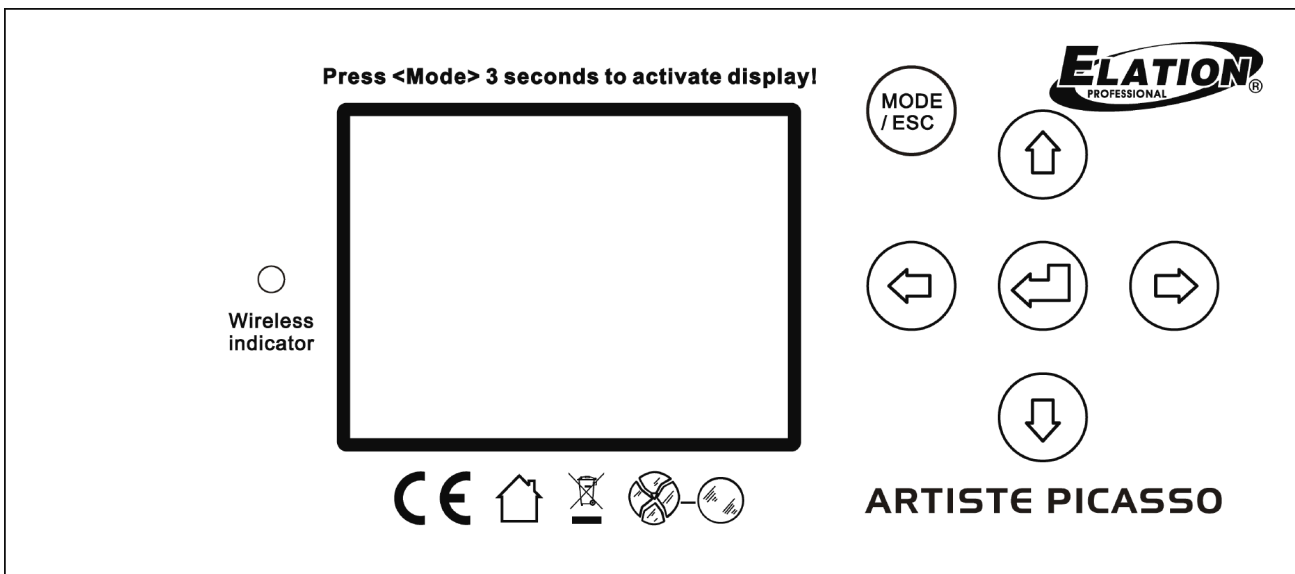
Note that 'manual mode' overrides the 'sun-protection mode'.

The hibernation function is an incredibly old feature that puts the unit into a 'sleep state' to save power (this is a state whereas only the electronics remain on, and all other functions are turned off, functions such as motors lamps etc.). This state is automatically activated when no DMX signal is present for the set time (1-99min or off).

SYSTEM MENU

The fixture includes an easy to navigate system menu. The control panel (see image below) located on the front of the fixture, provides access to the main system menu and is where all necessary system adjustments are made to the fixture. During normal operation, pressing **MODE/ESC** button once will access the fixture's main menu. Once in the main menu you can navigate through the different functions and access the sub-menus with the **UP, DOWN, RIGHT, and LEFT** buttons. Once you reach a field that requires adjusting, press the **ENTER** button to activate that field and use the **UP** and **DOWN** buttons to adjust the field. Pressing the **ENTER** button once more will confirm your setting. You may exit the main menu at any time without making any adjustments by pressing the **MODE/ESC** button.

To access the LCD Menu Control Display via the internal battery, press and hold the **MODE/ESC** button for 3 seconds. The LCD Menu Control Display will shut **OFF** automatically about 1 minute from the last button press.



SYSTEM MENU - Supports Software Versions: ≥ 1.1.2

Features are subject to change without any prior written notice.

*Rotation direction (Clockwise or Counterclockwise) of effects depends on orientation of the fixture head and Pan/Tilt settings.

MAIN MENU	SUB MENU	OPTIONS / VALUES (Default Settings in BOLD)		DESCRIPTION	
FUNCTION	Set Dmx Address	A001~AXXX		DMX Address Setting	
	Dmx Value	ALL.....		DMX Value Display	
	Slave Mode	Slave1, Slave2, Slave3		Slave Setting	
	Auto Program	Master / Alone		Auto Program	
INFORMATION	Time Information	Current Time	XXXX (Hours)	Fixture Run Time From Power ON	
		Total Run Time	XXXX (Hours)	Fixture Total Run Time	
		Last Run Time	XXXX (Hours)	Fixture Last Run Time	
		LastRun Password	Password= 038	(PSWD Required)	
		Clear Last Run	ON / OFF	Clear Fixture Last Run Time	
	Temperature Info	Head Temperature	XXX C° / F °	Temperature in Fixture Head	
		Base Temperature	XXX C° / F °	Temperature in Fixture Base	
	Ethernet IP	XXX . XXX . XXX . XXX	XXX . XXX . XXX . XXX	Displays Fixture Ethernet Address	
	Fan Info	HeadFan1-6, BaseFan1 / 2 (Standby, Fault)		RPM Speeds of Head/Base Fans	
	Software Version	1U01: - 7U01:	≥ V1.1.2	Software Version	
Error Info	Error Record 1 ~ Error Record 10		Fixture Last 10 Error Codes		
PERSONALITY	Status Settings	Address via DMX	ON/OFF	Address Via DMX	
		No DMX Status	Close / Hold / Auto	Fixture State When NO DMX Signal	
		Pan Reverse	ON/ OFF	Pan Reverse Movement	
		Tilt Reverse	ON/ OFF	Tilt Reverse Movement	
		Pan Degree	630/ 540	Pan Degree Select	
		Feedback	ON/OFF	Movement Feedback	
	Hibernation	OFF, 01M~99M, 15M	Stand By Mode		
	Service Setting	Password	Password= 050	Service Password	
		RDM UID	22A6xxxxxxx	RDM PID Code (PSWD Required)	
		Clear Err. Info	ON/ OFF	Clear Error Info (PSWD Required)	
		DFLT Pow. EflyOn	ON/ OFF	Set E-FLY Default Power State to ON	
		USB Update	YES/ NO	Update Fixture Software (see page 20)	
	Fans Control	Auto , High, Silent		Select Fan Speeds	
	Display Setting	Shutoff Time	02~60m 05m	Display Shut Off Time	
		Display Reverse	AUTO , ON, OFF	Display Reverse 180°	
		Key Lock	ON/ OFF	Key Lock	
	Temperature C/F	Celsius/Fahrenheit		Temperature Switch Between C°/ F°	
	Initial Status	PAN =XXX		Initial Effect Position	
	Select Signal	E-FLY Off			Disable E-FLY Wireless Transceiver
		DMX & E-FLY			Activate 5pin DMX and E-FLY
		E-FLY & OUT			Activate E-FLY and 5pin DMX OUT
		Art-Net			Select Art-Net
		sACN			Activate sACN
	Ethernet IP	XXX . XXX . XXX . XXX		Ethernet IP (PSWD Required)	
	Ether Mask IP	XXX . XXX . XXX . XXX		Ethernet Mask IP (PSWD Required)	
	Set Universe	000 - 32767		Set Art-Net Universe	
	Set E-FLY Chn	00 - 14		Set E-FLY Wireless Channel	
	Dimmer Mode	Standard , Stage, TV, Architectural, Theatre		Set Dimmer Curve	
	Refresh	1200, 900-1500, 2500, 4000, 5000, 10000, 15000, 20000, 25000 (Hz)		Set Refresh Rate	
	Gamma	2.0, 2.2 , 2.4, 2.6, 2.8		Set Gamma Value	
Reset Default	ON/ OFF	Password= 011	Restore Factory Settings (PSWD Required)		

SYSTEM MENU - Supports Software Versions: ≥ 1.1.2

Features are subject to change without any prior written notice.

*Rotation direction (Clockwise or Counterclockwise) of effects depends on orientation of the fixture head and Pan/Tilt settings.

MAIN MENU	SUB MENU	OPTIONS / VALUES (Default Settings in BOLD)		DESCRIPTION	
Reset Function	Reset All			Reset All Motors	
	Reset Pan&Tilt			Reset Pan/Tilt	
	Reset Colors			Reset Color Wheel	
	Reset Gobos			Reset Gobos	
	ResetZoomModules				
	Reset Others			Reset Other Motors	
Effect Adjust	Test Channel	PAN		Test function	
	Manual Control	PAN =XXX,		Fine Adjustments	
	Calibration	Calibration Password		Password 050 (PSWD Required)	
User Mode Set	User Mode	Standard Mode		DMX Channel Modes	
		Extended Mode			
		User Mode A		User Defined Channel Assignment	
		User Mode B			
	User Mode C				
	Edit User Mode	Edit User Mode A	Max Channel = XX		Edits User Defined Channel Assignments
Edit User Mode B		PAN = CH01			
Edit User Mode C					
Edit Program	Select Program	Auto Pro Part1 = Program 1~10 (Program 1)		Select Programs To Be Run	
		Auto Pro Part2 = Program 1~10 (Program 2)			
		Auto Pro Part3 = Program 1~10 (Program 3)			
	Edit Program	Program 1	Program Test		Testing Program
		:	Step 01=SCxxx		Program In Loop
		Program 10	Step 64=SCxxx		Save and Exit
	Edit Scenes	Edit Scene 001	Pan,Tilt,.....		Save and Automatically Return
		~	--Fade Time--		Manual Scenes Edit
Edit Scene 250		--Scene Time--			
Rec. Controller	XX~XX	Input By Outside		Stores Scenes via Ext DMX Console	
				Automatic Scenes Recorder	

DMX CHANNEL VALUE CHANGE WITH SOFTWARE UPDATE VERSION ≥1.1.5

System Menu in **bolded red** has been updated with this software update, **black bolded** is default.

PERSONALITY	Select Signal	E-FLY Off	Disable E-FLY Wireless Transceiver
		DMX & E-FLY	Activate 5pin DMX and E-FLY
		E-FLY & OUT	Activate E-FLY and 5pin DMX OUT
		Art-Net	Select Art-Net
		sACN	Activate sACN
		DMX In&E-FLY Out	Activate 5pin DMX In and E-FLY OUT

DMX CHANNEL VALUE CHANGE WITH SOFTWARE UPDATE VERSION ≥1.1.6

System Menu in **bolded red** has been updated with this software update, **black bolded** is default.

PERSONALITY	Fans Control	Auto , High, Silent, Studio , Mute	Select Fan Speeds
-------------	--------------	---	-------------------

PERSONALITY - Status Settings - Address Via DMX

When ON, define the desired DMX address via an external controller.

NOTE: This process assumes the fixture DMX address is set to 001. If fixture DMX address is not at 001, you must adjust the channel numbers accordingly for this feature to work.

For example: if your fixture address is 010, then Channel 1 becomes Channel 10, Channel 2 becomes Channel 11, and Channel 3 becomes Channel 12.

1. Connect the fixture to the external controller and power ON.
2. Set the DMX value of **Channel 1** on the controller to **(7)**.
3. Set the DMX value of **Channel 2** on the controller to **(7)** or **(8)**.
When set to **(7)**, the DMX address can be set between **(1)** and **(255)**.
When set to **(8)**, the DMX address can be set between **(256)** and **(511)**.
4. Using **Channel 3** on the controller set the desired DMX address of the fixture.

Example 1: If the desired DMX address is **57**, set **Channel 1** to a value of **(7)**, set **Channel 2** to a value of **(7)**, and then set **Channel 3** to a value of **(57)**.

Example 2: If the desired DMX address is **420**, set **Channel 1** to a value of **(7)**, set **Channel 2** to a value of **(8)**, and then set **Channel 3** to a value of **(164)**. ($256+164=420$)

5. After setting **Channel 3** to the desired DMX address value, wait for approximately 20 seconds (some fixtures may require a longer time) for the fixture to complete the address reset function.

PERSONALITY – Service Setting - Password (050)

The Service Password MUST be entered to access the service menus.

PERSONALITY – Service Setting - RDM UID

Select various submenus via RDM. RDM stands for "Remote Device Management", which provides the ability to control the device remotely while connected to a DMX-bus. ANSI E1.20-2006 by ESTA specifies the RDM standard as an extension of the DMX512 protocol. Manual settings like adjusting the DMX starting address are no longer needed. This is especially useful when the device is installed in a remote area.

RDM ready and conventional DMX devices can be operated in one DMX line. The RDM protocol sends its own packages in the DMX512 data feed and does not influence conventional devices. If DMX splitters are used and RDM control is to be used, these splitters must support RDM. The number and type of RDM parameters depend on the RDM controller being used.

PERSONALITY – Service Setting – USB Update

To update the fixture software via the **UPDATE/SERVICE PORT**, follow steps below.



ONLY QUALIFIED TECHNICIANS SHOULD PERFORM THIS FUNCTION!
NOTE ALL MENU SETTINGS BEFORE UPDATING SOFTWARE!
FIXTURE SOFTWARE CAN NOT BE DOWNGRADED!
DOWNLOAD FIXTURE SOFTWARE TO PC ONLY! (NO MAC SUPPORT)
PLEASE CONTACT ELATION SERVICE FOR FURTHER INFORMATION.

1. Copy fixture software update file from a PC computer to a compatible USB flash drive.
 Make sure only the fixture software update file is stored on the USB flash drive.
2. Disconnect DMX, Art-Net, and E-FLY connections and power the fixture ON.
3. Insert USB flash drive into the **UPDATE/SERVICE PORT** on the rear connection panel.
4. Navigate to the **Personality** main menu **Service Setting / USB Update** sub menu.
5. Select the software file name on the menu display and press **ENTER**.
6. Select **YES** to begin update process and **Updating...%** will show on the menu display.
7. After file is uploaded, the fixture will check the software which will take some time.

The fixture will perform a reset process when the software update process is complete.

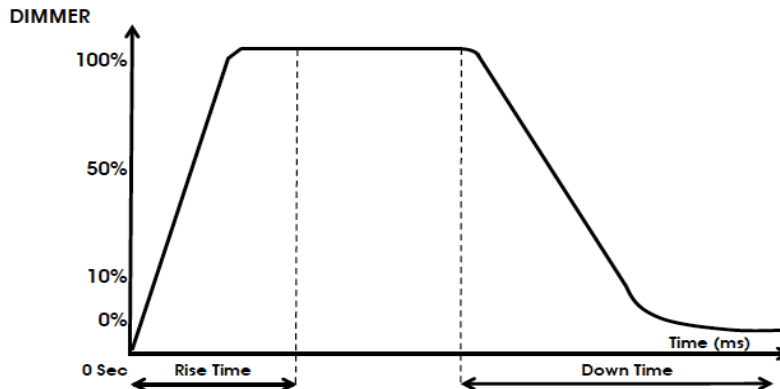
8. Remove the USB flash drive and make necessary system menu setting adjustments.

PERSONALITY - Display Setting – Key Lock

When ON, Control Panel buttons lock automatically after exiting main menu for 15 seconds. To unlock, keep **MODE/ESC** button pressed for 3 seconds.

PERSONALITY - Dimmer Mode

Select desired DIMMER MODE (Standard, Stage, TV, Architectural, Theatre).



Dimming Curve Ramp Effect	0 sec Fade Time		1 sec Fade Time	
	Rise Time (ms)	Down Time (ms)	Rise Time (ms)	Down Time (ms)
Standard (default)	0	0	0	0
Stage	780	1100	1540	1660
TV	1180	1520	1860	1940
Architectural	1380	1730	2040	2120
Theatre	1560	1940	2230	2280

PERSONALITY - Reset Default (011)



ONLY QUALIFIED TECHNICIANS SHOULD PERFORM THIS FUNCTION!

NOTE: SAVED WHITE BALANCE IS ERASED AFTER A RESET IS PERFORMED!

This function restores all fixture settings to the factory default settings. The password is **011** and must be entered each time a reset is performed.

EFFECT ADJUST – Test Channel

Auto test each individual channel function independently from the DMX control board.

EFFECT ADJUST – Manual Control

Select and manually test and fine adjust each individual channel function

Independently from DMX control board. This function will center PAN and TILT motors and set dimmer to 100%. PAN and TILT functions will still operate if the fixture needs to be positioned to a flat clear surface. With the individual functions, you can focus the light on a flat surface (wall) and perform fine adjustments.

EFFECT ADJUST – Calibration



ONLY QUALIFIED TECHNICIANS SHOULD PERFORM THIS FUNCTION.

This function allows small adjustments to be made to the Pan, Tilt, and Zoom movements to compensate for wear or in the event a sensor has been knocked slightly out of place. Because improper use of this function can result in undesired operation this function has been password protected. The password is **050** and must be entered each time the calibration menu function is entered. Because calibration is an extremely delicate procedure, instructions on performing this action are left out of this manual. For a first-time calibrator, please contact our customer support team for step-by-step instructions.

USER MODE SET – Edit User Mode

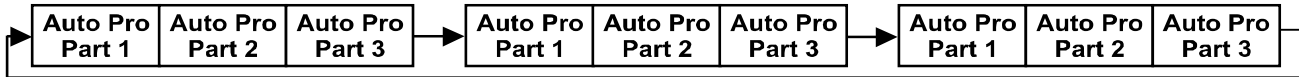
Create user defined channel orders allowing the fixture to match the channel order of other fixtures on the market for easier operation. A total of three user modes may be configured: User Mode A, User Mode B, and User Mode C.

EDIT PROGRAM – Rec. Controller

The fixture features an integrated DMX-recorder by which you can transmit the programmed scenes from your DMX-controller to the moving head. Adjust the desired scene numbers via the encoder (from – to). When you call up the scenes at your controller, they will automatically be transmitted to the moving head.

EDIT PROGRAM – Record Controller – Working with Built-In Programs

A Master unit can send up to 3 different data groups to the Slave units, i.e., a Master unit can start 3 different Slave units, which run 3 different programs. The Master unit sends the 3 program parts in a continuous loop.



The Slave unit receives data from the Master unit according to the group which the Slave unit was assigned to. If e.g., a Slave unit is set to “**Slave 1**” in the menu “**Set to Slave**”, the Master unit sends “**Auto Program Part 1**” to the Slave unit.

If set to “**Slave 2**”, the Slave unit receives “**Auto Program Part 2**”.

To start an Auto Program, proceed as follows:

1. Slave Setting

- Select “**Function Mode**”.
- Press **ENTER** to confirm.
- Select “**Set to Slave**”.
- Press **ENTER** to confirm.
- Select “**Slave 1**”, “**Slave 2**” or “**Slave 3**”.
- Press **ENTER** to confirm.
- Press **MODE/ESC** in order to return to the main menu.

2. Automatic Program Run

- Select “**Function Mode**”.
- Press **ENTER** to confirm.
- Select “**Auto Program**”.
- Press **ENTER** to confirm.
- Select “**Master**” or “**Alone**”.
- Press **ENTER** to confirm.
- Press **MODE/ESC** in order to return to the main menu.

EDIT PROGRAM – Record Controller – Working with Built-In Program [continued]

3. Program Selection for Auto Pro Part

- Select “**Edit Program**”.
- Press **ENTER** to confirm.
- Select “**Select Programs**”.
- Press **ENTER** to confirm.
- Select “**Auto Pro Part 1**”, “**Auto Pro Part 2**” or “**Auto Pro Part 3**”, and select which Slave program is to be sent. Selection “**Part 1**” means, that the Slave unit runs the same program as the master units.
- Press **ENTER** to confirm.
- Press **MODE/ESC** to return to the main menu.

4. Program Selection for Edit Program

- Select “**Edit Program**”.
- Press **ENTER** to confirm.
- Select “**Edit Program**”.
- Press **ENTER** to confirm.
- Select the desired program to edit specific scenes into a specific program.
- Press **ENTER** to confirm.
- Press **MODE/ESC** to return to the main menu.

5. Automatic Scene Recording

- Select “**Edit Program**”.
- Press **ENTER** to confirm.
- Select “**Edit Scenes**”.
- Select desired scene numbers. A maximum of 250 scenes can be programmed.
- Press **ENTER** to confirm.
- Press **MODE/ESC** to return to the main menu.

EDIT PROGRAM – Record Controller – Working with Built-In Program [continued]

Example:

Program 2 includes scenes: 10, 11, 12, & 13

Program 4 includes scenes: 8, 9, & 10

Program 6 includes scenes: 12, 13, 14, & 15

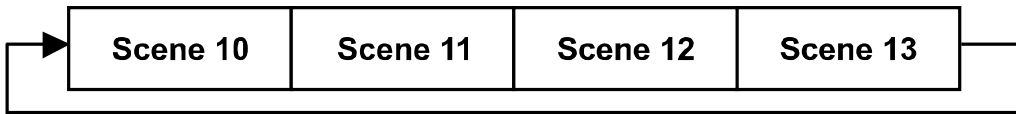
Auto Pro Part 1 is Program 2

Auto Pro Part 2 is Program 3

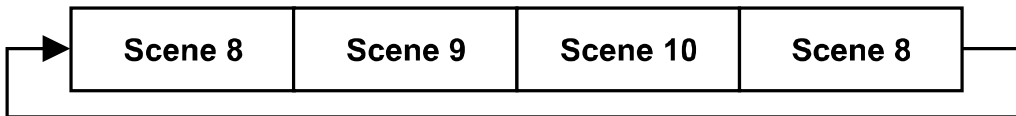
Auto Pro Part 3 is Program 6

The 3 Slave groups run the Auto Program in certain time segments. (See diagram below)

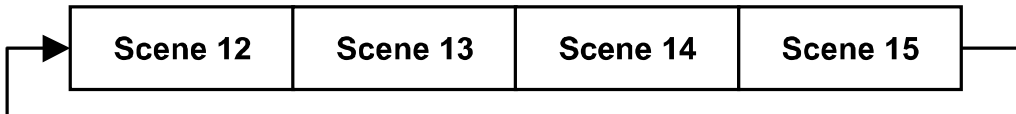
Part 1:



Part 2:



Part 3:



E - FLY WIRELESS DMX SET UP



BEFORE SETTING THE WIRELESS CHANNEL ON ANY E-FLY FIXTURE, MAKE SURE THE SOURCE E-FLY WIRELESS DMX TRANSCEIVER DEVICE IS OFF.

TO CONTROL FIXTURE WITH E-FLY WIRELESS DMX SIGNAL

1. Ensure the source **E-FLY** wireless DMX Transceiver device is powered **OFF**.
2. Power **ON** fixture and from the LCD control panel select **DMX & E-FLY** or **E-FLY & OUT** in the **Select Signal** sub menu of the **PERSONALITY** main system menu.
3. From the LCD control panel set the **E-FLY** wireless channel to the same wireless channel of the source **E-FLY** DMX Transceiver device in the **Set E-FLY Chn** sub menu of the **PERSONALITY** main system menu.



NOTE: Erratic fixture movement may occur if other **E-FLY** wireless DMX products are in use in the same area and are using the same **E-FLY** wireless channel. The fixture may immediately start to respond to the DMX wireless signal from another **E-FLY** wireless DMX Transceiver immediately when **E-FLY** is enabled. Make sure to know what **E-FLY** wireless channels are being used in the area where the fixture is being installed.

RELATION E-FLY WIRELESS TRANSCEIVER has 0-14 wireless channels.

4. Set fixture DMX address in the **Set Dmx Address** sub menu of the **FUNCTION** main system menu.
5. The **E-FLY** signal Indicator on the fixture LCD control display will illuminate **GREEN** if a successful wireless DMX connection has been made or illuminate **RED** for NO connection. If no connection is made, repeat steps 1-4 above.
6. Repeat this process for all **E-FLY** compatible fixtures in the E-FLY wireless network, making sure all fixtures are assigned the same **E-FLY** wireless channel.
7. After all fixtures in the **E-FLY** wireless network have been set to the same **E-FLY** wireless channel and powered ON, now power ON the source **E-FLY** DMX Transceiver device.
8. Test all fixtures connected to the **E-FLY** wireless network to confirm proper functionality.

E-FLY WIRELESS INSTALLATION LOCATION GUIDELINES

There are many factors that affect and/or interrupt a wireless signal such as walls, glass, metal, objects, and people. Therefore, it is highly recommended to:

- Install devices a minimum of 9.8 ft. (3m) above audiences and/or ground level
- Adjust the wireless antenna in a vertical upright position
- Position devices in direct line of sight of the controlling E-FLY device

Careful planning and testing of the selected installation location is critical to ensure optimum and reliable wireless operation.

9.8 ft (3m)
Above Ground



DMX CHANNEL FUNCTIONS AND VALUES

RELATION ARTISTE PICASSO

DMX Channel Values / Functions (62 DMX Channels)

Supports Software Versions: \geq 1.1.2

Features are subject to change without any prior written notice.

*Rotation direction (Clockwise or Counterclockwise) of effects depends on orientation of the fixture head and Pan/Tilt settings.

MODE / CHANNEL		VALUE	FUNCTION
STANDARD	EXTENDED		
1	1		PAN MOVEMENT
		0-255	PAN Movement
2	2		PAN FINE MOVEMENT [16 BIT]
		0-255	Fine Control of PAN Movement
3	3		TILT MOVEMENT
		0-255	TILT Movement
4	4		TILT MOVEMENT [16 BIT]
		0-255	Fine Control of TILT Movement
5	5		CYAN COLOR
		0-255	0-WHITE ~ 255-100% CYAN
	6		CYAN COLOR FINE [16 BIT]
		0-255	CYAN FINE Adjustment
6	7		MAGENTA COLOR
		0-255	0-WHITE ~ 255-100% MAGENTA
	8		MAGENTA COLOR FINE [16 BIT]
		0-255	MAGENTA FINE Adjustment
7	9		YELLOW COLOR
		0-255	0-WHITE ~ 255-100% YELLOW
	10		YELLOW COLOR FINE [16 BIT]
		0-255	YELLOW FINE Adjustment
8	11		CTO COLOR
		0-255	0-WHITE ~ 255-100% CTO
	12		CTO COLOR FINE [16 BIT]
		0-255	CTO FINE Adjustment
9	13		COLOR WHEEL
		0-19	OPEN / WHITE
		20-37	RED - [RGB = 255, 0, 0]
		38-55	GREEN - [RGB = 0,255, 0]
		56-73	HIGH CRI - [RGB = 202, 217, 247]
		74-91	ORANGE - [RGB = 255, 102, 0]
		92-109	MINUS GREEN - [RGB = 163, 180, 217]
		110-127	BLUE - [RGB = 17, 61, 237]
		128-189	*Clockwise COLOR Rotation from FAST to SLOW
		190-193	NO Rotation
	194-255	*Counter-Clockwise COLOR Rotation from SLOW to FAST	
	14		COLOR WHEEL FINE ADJUSTMENT [16 BIT]
		0-255	FINE Adjustment of Color Wheel to Any Position

MODE / CHANNEL		VALUE	FUNCTION
STANDARD	EXTENDED		
10	15		ROTATING GOBOS, CONTINUOUS ROTATION [GOBO WHEEL 1]
		0-9	OPEN
		10-19	Rotating Gobo 1
		20-29	Rotating Gobo 2
		30-39	Rotating Gobo 3
		40-49	Rotating Gobo 4
		50-59	Rotating Gobo 5
		60-69	Rotating Gobo 6
		70-77	Rotating Gobo 7
		78-93	Gobo 1 Shake SLOW to FAST
		94-109	Gobo 2 Shake SLOW to FAST
		110-125	Gobo 3 Shake SLOW to FAST
		126-141	Gobo 4 Shake SLOW to FAST
		142-157	Gobo 5 Shake SLOW to FAST
		158-173	Gobo 6 Shake SLOW to FAST
		174-189	Gobo 7 Shake SLOW to FAST
		190-221	*Clockwise Gobo Wheel Rotation from FAST to SLOW
222-223	NO Rotation		
224-255	*Counter-Clockwise Gobo Wheel Rotation from SLOW to FAST		
11	16		ROTATING GOBOS, INDEX ROTATION [GOBO WHEEL 1]
		0-127	Gobo Indexing
		128-189	*Clockwise Gobo Rotation from FAST TO SLOW
		190-193	NO Rotation
		194-255	*Counter-Clockwise Gobo Rotation from SLOW to FAST
12	17		ROTATING GOBOS, FINE INDEX ROTATION [GOBO WHEEL 1] [16 BIT]
		0-255	Gobo Rotation FINE Indexing
13	18		STATIC / FIXED GOBOS [GOBO WHEEL 2]
		0-9	OPEN
		10-19	Static / Fixed Gobo 1
		20-29	Static / Fixed Gobo 2
		30-39	Static / Fixed Gobo 3
		40-49	Static / Fixed Gobo 4
		50-59	Static / Fixed Gobo 5
		60-69	Static / Fixed Gobo 6
		70-77	Static / Fixed Gobo 7
		78-93	Shake SLOW to FAST Static / Fixed Gobo 1
		94-109	Shake SLOW to FAST Static / Fixed Gobo 2
		110-125	Shake SLOW to FAST Static / Fixed Gobo 3
		126-141	Shake SLOW to FAST Static / Fixed Gobo 4
		142-157	Shake SLOW to FAST Static / Fixed Gobo 5
		158-173	Shake SLOW to FAST Static / Fixed Gobo 6
		174-189	Shake SLOW to FAST Static / Fixed Gobo 7
		190-221	*Clockwise Gobo Wheel Rotation from FAST to SLOW
222-223	NO		
224-255	*Counter-Clockwise Gobo Wheel Rotation from SLOW to FAST		
	19		STATIC / FIXED GOBOS, FINE INDEX ROTATION [GOBO WHEEL 2] [16 BIT]
		0-255	Gobo Rotation FINE Indexing

MODE / CHANNEL		VALUE	FUNCTION
STANDARD	EXTENDED		
14	20		ROTATING PRISM, PRISM / GOBO MACROS
		0-63	OPEN
		64-95	PRISM 1
		96-127	PRISM 2
		128-135	Prism / Gobo Macro 1
		136-143	Prism / Gobo Macro 2
		144-151	Prism / Gobo Macro 3
		152-159	Prism / Gobo Macro 4
		160-167	Prism / Gobo Macro 5
		168-175	Prism / Gobo Macro 6
		176-183	Prism / Gobo Macro 7
		184-191	Prism / Gobo Macro 8
		192--199	Prism / Gobo Macro 9
		200-207	Prism / Gobo Macro 10
		208-215	Prism / Gobo Macro 11
		216-223	Prism / Gobo Macro 12
		224-231	Prism / Gobo Macro 13
232-239	Prism / Gobo Macro 14		
240-247	Prism / Gobo Macro 15		
248-255	Prism / Gobo Macro 16		
15	21		ROTATING PRISM #1, PRISM #1 INDEX ROTATION
		0-127	Prism Indexing
		128-189	*Clockwise Prism Rotation from FAST to SLOW
		190-193	NO Rotation
		194-255	*Counter-Clockwise Prism Rotation from SLOW to FAST
	22		ROTATING PRISM #1, PRISM #1 FINE INDEX ROTATION [16 BIT]
		0-255	Gobo Rotation FINE Indexing
16	23		ROTATING PRISM #2, PRISM #2 INDEX ROTATION
		0-127	Prism Indexing
		128-189	*Clockwise Prism Rotation from FAST to SLOW
		190-193	NO Rotation
		194-255	*Counter-Clockwise Prism Rotation from SLOW to FAST
	24		ROTATING PRISM #2, PRISM #2 FINE INDEX ROTATION [16 BIT]
		0-255	Gobo Rotation FINE Indexing
17	25		FOCUS
		0-255	Continuous Adjustment from NEAR to FAR
18	26		FOCUS FINE [16 BIT]
		0-255	Continuous FINE Focus Adjustment
19	27		MOTORIZED ZOOM
		0-255	ZOOM Adjustment from SMALL to BIG
	28		MOTORIZED ZOOM FINE [16 BIT]
		0-255	ZOOM FINE Adjustment

MODE / CHANNEL		VALUE	FUNCTION
STANDARD	EXTENDED		
	29		AUTO FOCUS
		0-50	AUTO FOCUS OFF
		51-100	16.4 ft (5m)
		101-150	24.6 ft (7.5m)
		151-200	32.8 ft (10m)
		201-255	49.2 ft (15m)
DMX CHANNEL VALUE CHANGE WITH SOFTWARE UPDATE VERSION \geq1.1.7			
Gray highlighted DMX Channel below for updates with this software.			
	29		AUTO FOCUS
		0-10	AUTO FOCUS OFF
		11-20	3.5m
		21-30	4m
		30-40	4.5m
		41-50	5m
		51-60	5.5m
		61-70	6m
		71-80	6.5m
		81-90	7m
		91-100	7.5m
		101-110	8m
		111-120	8.5m
		121-130	9m
		131-140	9.5m
		141-150	10m
		151-160	10.5m
		161-170	11m
		171-180	11.5m
		181-190	12m
	191-200	12.5m	
	201-210	13m	
	211-220	13.5m	
	221-230	14m	
	231-240	14.5m	
	241-255	15m	
	30		AUTO FOCUS FINE
		0-255	Continuous FINE Focus Adjustment
20	31		SHUTTER, STROBE
		0-31	Shutter CLOSED
		32-63	NO Function (Shutter OPEN)
		64-95	Strobe Effect SLOW to FAST
		96-127	NO Function (Shutter OPEN)
		128-159	Pulse Effect In Sequences
		160-191	NO Function (Shutter OPEN)
		192-223	Random Strobe Effect SLOW to FAST
224-255	NO Function (Shutter OPEN)		
21	32		DIMMER INTENSITY
		0-255	Intensity 0 to 100%
22	33		DIMMER INTENSITY FINE [16 BIT]
		0-255	Intensity 0 to 100%

23	34		DIMMER CURVE MODES
		0-20	STANDARD
		21-40	STAGE
		41-60	TV
		61-80	ARCHITECTURAL
		81-100	THEATER
		101-255	DEFAULT to FIXTURE DIMMER CURVE SETTING
DMX CHANNEL VALUE CHANGE WITH SOFTWARE UPDATE VERSION \geq1.1.7			
Gray highlighted DMX Channel below for updates with this software.			
23	34		DIMMER CURVE MODES
		0-20	STANDARD
		21-40	STAGE
		41-60	TV
		61-80	ARCHITECTURAL
		81-100	THEATER
		101-120	DEFAULT to FIXTURE DIMMER CURVE SETTING
			DIMMER DELAY TIME
		121	0s
		122	0.1s
		123	0.2s
		124	0.3s
		125	0.4s
		126	0.5s
		127	0.6s
		128	0.7s
		129	0.8s
		130	0.9s
		131	1.0s
		132	1.5s
		133	2.0s
		134	3.0s
135	4.0s		
136	5.0s		
137	6.0s		
138	7.0s		
139	8.0s		
140	9.0s		
141	10s		
142-255	IDLE		
24	35		IRIS
		0-191	MAX to MIN Diameter
		192-223	Pulse Opening FAST to SLOW
		224-255	Pulse Closing SLOW to FAST
	36		IRIS FINE
0-255		Iris FINE Adjustment	

25	37		FROST
		0-50	OPEN
		51-100	100% FROST 1
		101-255	100% FROST 2
DMX CHANNEL VALUE CHANGE WITH SOFTWARE UPDATE VERSION \geq1.1.4 Gray highlighted DMX Channel below for updates with this software.			
25	37		FROST
		0-126	OPEN TO FROST 1
		127	100% FROST 1
		128-254	OPEN to FROST 2
255	100% FROST 2		
26	38		ANIMATION WHEEL
		0-7	OPEN
		8-127	*Clockwise Animation Wheel Rotation from FAST to SLOW
		128-135	NO Rotation
		136-255	*Counter-Clockwise Animation Wheel Rotation from SLOW to FAST

MODE / CHANNEL		VALUE	FUNCTION
STANDARD	EXTENDED		
			AUTO FOCUS
	29	0-50	AUTO FOCUS OFF
		51-100	16.4 ft (5m)
		101-150	24.6 ft (7.5m)
		151-200	32.8 ft (10m)
		201-255	49.2 ft (15m)
	30		AUTO FOCUS FINE
		0-255	Continuous FINE Focus Adjustment
20	31		SHUTTER, STROBE
		0-31	Shutter CLOSED
		32-63	NO Function (Shutter OPEN)
		64-95	Strobe Effect SLOW to FAST
		96-127	NO Function (Shutter OPEN)
		128-159	Pulse Effect In Sequences
		160-191	NO Function (Shutter OPEN)
		192-223	Random Strobe Effect SLOW to FAST
	224-255	NO Function (Shutter OPEN)	
21	32		DIMMER INTENSITY
		0-255	Intensity 0 to 100%
22	33		DIMMER INTENSITY FINE [16 BIT]
		0-255	Intensity 0 to 100%
23	34		DIMMER CURVE MODES
		0-20	STANDARD
		21-40	STAGE
		41-60	TV
		61-80	ARCHITECTURAL
		81-100	THEATER
	101-255	DEFAULT to FIXTURE DIMMER CURVE SETTING	
24	35		IRIS
		0-191	MAX to MIN Diameter
		192-223	Pulse Opening FAST to SLOW
		224-255	Pulse Closing SLOW to FAST
	36		IRIS FINE
0-255		Iris FINE Adjustment	
25	37		FROST
		0-50	OPEN
		51-100	100% FROST 1
		101-255	100% FROST 2
DMX CHANNEL VALUE CHANGE WITH SOFTWARE UPDATE VERSION \geq1.1.4			
Gray highlighted DMX Channel below for updates with this software.			
25	37		FROST
		0-126	OPEN TO FROST 1
		127	100% FROST 1
		128-254	OPEN to FROST 2
		255	100% FROST 2
26	38		ANIMATION WHEEL
		0-7	OPEN
		8-127	*Clockwise Animation Wheel Rotation from FAST to SLOW
		128-135	NO Rotation
		136-255	*Counter-Clockwise Animation Wheel Rotation from SLOW to FAST

MODE / CHANNEL		VALUE	FUNCTION
STANDARD	EXTENDED		
	39		CMY / COLOR MACRO SPEED
		0-255	MAX to MIN Speed
			CMY / COLOR MACROS
		0-31	OFF
		32-39	Macro 1
		40-47	Macro 2
		48-55	Macro 3
		56-63	Macro 4
		64-71	Macro 5
		72-79	Macro 6
		80-87	Macro 7
		88-95	Macro 8
		96-103	Macro 9
		104-111	Macro 10
		112-119	Macro 11
		120-127	Macro 12
		128-135	Macro 13
		136-143	Macro 14
		144-151	Macro 15
		152-159	Macro 16
		160-167	Macro 17
		168-175	Macro 18
		176-183	Macro 19
		184-191	Macro 20
		192-199	Macro 21
		200-207	Macro 22
		208-215	Macro 23
		216-223	Macro 24
		224-231	Macro 25
		232-239	Macro 26
		240-247	Macro 27
		248-255	RANDOM CMY

MODE / CHANNEL		VALUE	FUNCTION
STANDARD	EXTENDED		
27	41		BLADE 1A
		0-255	Open to Close
	42		BLADE 1A Fine
		0-255	Open to Close Fine
28	43		BLADE 1B
		0-255	Open to Close
	44		BLADE 1B Fine
		0-255	Open to Close Fine
29	45		BLADE 2A
		0-255	Open to Close
	46		BLADE 2A Fine
		0-255	Open to Close Fine
30	47		BLADE 2B
		0-255	Open to Close
	48		BLADE 2B Fine
		0-255	Open to Close Fine
31	49		BLADE 3A
		0-255	Open to Close
	50		BLADE 3A Fine
		0-255	Open to Close Fine
32	51		BLADE 3B
		0-255	Open to Close
	52		BLADE 3B Fine
		0-255	Open to Close Fine
33	53		BLADE 4A
		0-255	Open to Close
	54		BLADE 4A Fine
		0-255	Open to Close Fine
34	55		BLADE 4B
		0-255	Open to Close
	56		BLADE 4B Fine
		0-255	Open to Close Fine
35	57		ALL BLADE Rotation
		0-255	All Blade Rotation
	58		ALL BLADE Rotation Fine
		0-255	All Blade Rotation Fine
	59		BLADE Speed
		0-255	Speed MAX to MIN

MODE / CHANNEL		VALUE	FUNCTION
STANDARD	EXTENDED		
			BLADE MACROS
		0-7	OFF
		8-15	Macro 01
		16-23	Macro 02
		24-31	Macro 03
		32-39	Macro 04
		40-47	Macro 05
		48-55	Macro 06
		56-63	Macro 07
		64-71	Macro 08
		72-79	Macro 09
		80-87	Macro 10
		88-95	Macro 11
		96-103	Macro 12
		104-111	Macro 13
		112-119	Macro 14
	60	120-127	Macro 15
		128-135	Macro 16
		136-143	Macro 17
		144-151	Macro 18
		152-159	Macro 19
		160-167	Macro 20
		168-175	Macro 21
		176-183	Macro 22
		184-191	Macro 23
		192-199	Macro 24
		200-207	Macro 25
		208-215	Macro 26
		216-223	Macro 27
		224-231	Macro 28
		232-239	Macro 29
		240-247	Macro 30
		248-255	Macro 31
			PAN / TILT MOVEMENT SPEED
		0-225	MAX to MIN Speed
		226-235	Blackout by Movement
		236-245	Blackout by ALL Wheel Movement
	61	246-255	NO FUNCTION

MODE / CHANNEL		VALUE	FUNCTION
STANDARD	EXTENDED		
36	62		LAMP ON/OFF, RESET, LED REFRESH RATES, INTERNAL PROGRAMS
		0-19	COLOR & GOBO Change Normal
		20-29	COLOR Change to Any Position
		30-39	COLOR & GOBO Change to Any Position
		40-59	ENABLE Studio Mode
		60-79	DISABLE Studio Mode
		80-84	All MOTORS Reset
		85-87	SCAN MOTORS Reset
		88-90	COLOR MOTORS Reset
		91-93	GOBO MOTORS Reset
		94-96	FOCUS & ZOOM MOTORS Reset
		97-99	OTHER MOTORS Reset
		100-168	REFRESH RATE (CONTINUED NEXT PAGE)

MODE / CHANNEL		VALUE	FUNCTION
STANDARD	EXTENDED		
36	62		LAMP ON/OFF, RESET, LED REFRESH RATES, INTERNAL PROGRAMS
		100-168	REFRESH RATE
		100	900 Hz LED Refresh Rate
		101	910 Hz LED Refresh Rate
		102	920 Hz LED Refresh Rate
		103	930 Hz LED Refresh Rate
		104	940 Hz LED Refresh Rate
		105	950 Hz LED Refresh Rate
		106	960 Hz LED Refresh Rate
		107	970 Hz LED Refresh Rate
		108	980 Hz LED Refresh Rate
		109	990 Hz LED Refresh Rate
		110	1000 Hz LED Refresh Rate
		111	1010 Hz LED Refresh Rate
		112	1020 Hz LED Refresh Rate
		113	1030 Hz LED Refresh Rate
		114	1040 Hz LED Refresh Rate
		115	1050 Hz LED Refresh Rate
		116	1060 Hz LED Refresh Rate
		117	1070 Hz LED Refresh Rate
		118	1080 Hz LED Refresh Rate
		119	1090 Hz LED Refresh Rate
		120	1100 Hz LED Refresh Rate
		121	1110 Hz LED Refresh Rate
		122	1120 Hz LED Refresh Rate
		123	1130 Hz LED Refresh Rate
		124	1140 Hz LED Refresh Rate
		125	1150 Hz LED Refresh Rate
		126	1160 Hz LED Refresh Rate
		127	1170 Hz LED Refresh Rate
		128	1180 Hz LED Refresh Rate
		129	1190 Hz LED Refresh Rate
		130	1200 Hz LED Refresh Rate
		131	1210 Hz LED Refresh Rate
		132	1220 Hz LED Refresh Rate
		133	1230 Hz LED Refresh Rate
		134	1240 Hz LED Refresh Rate
		135	1250 Hz LED Refresh Rate
		136	1260 Hz LED Refresh Rate
137	1270 Hz LED Refresh Rate		
138	1280 Hz LED Refresh Rate		
139	1290 Hz LED Refresh Rate		

MODE / CHANNEL		VALUE	FUNCTION
STANDARD	EXTENDED		
36	62		LAMP ON/OFF, RESET, LED REFRESH RATES, INTERNAL PROGRAMS
		140	1300 Hz LED Refresh Rate
		141	1310 Hz LED Refresh Rate
		142	1320 Hz LED Refresh Rate
		143	1330 Hz LED Refresh Rate
		144	1340 Hz LED Refresh Rate
		145	1350 Hz LED Refresh Rate
		146	1360 Hz LED Refresh Rate
		147	1370 Hz LED Refresh Rate
		148	1380 Hz LED Refresh Rate
		149	1390 Hz LED Refresh Rate
		150	1400 Hz LED Refresh Rate
		151	1410 Hz LED Refresh Rate
		152	1420 Hz LED Refresh Rate
		153	1430 Hz LED Refresh Rate
		154	1440 Hz LED Refresh Rate
		155	1450 Hz LED Refresh Rate
		156	1460 Hz LED Refresh Rate
		157	1470 Hz LED Refresh Rate
		158	1480 Hz LED Refresh Rate
		159	1490 Hz LED Refresh Rate
		160	1500 Hz LED Refresh Rate
		161	2500 Hz LED Refresh Rate
		162	4000 Hz LED Refresh Rate
		163	5000 Hz LED Refresh Rate
		164	6000 Hz LED Refresh Rate
		165	10,000 Hz LED Refresh Rate
		166	15,000 Hz LED Refresh Rate
		167	20,000 Hz LED Refresh Rate
		168	25,000 Hz LED Refresh Rate
169-200	RESERVED		
201	INTERNAL PROGRAM 1		
202	INTERNAL PROGRAM 2		
203	INTERNAL PROGRAM 3		
204	INTERNAL PROGRAM 4		
205	INTERNAL PROGRAM 5		
206	INTERNAL PROGRAM 6		
207	INTERNAL PROGRAM 7		
208-255	RESERVED		

MODE / CHANNEL		VALUE	FUNCTION
STANDARD	EXTENDED		
DMX CHANNEL VALUE CHANGE WITH SOFTWARE UPDATE VERSION ≥1.1.7			
Gray highlighted DMX Channel below for updates with this software.			
36	62		SPECIAL CONTROL
		169-180	RESERVED
		181-185	DIMMER CURVE LINEAR (DEFAULT)
		186-190	DIMMER CURVE SQUARE
		191-195	DIMMER CURVE INVERSE SQUARE
		196-200	DIMMER CURVE S-CURVE
		208-209	HIBERNATE OFF
		210-211	HIBERNATE
		212-255	RESERVED

ERROR CODES

When power is applied, the unit will automatically enter a “**Reset/Test**” mode. This mode brings all the internal motors to a home position. If there is an internal problem with one or more of the motors an error code will flash in the display in the form of “**XXer**” where as XX will represent a function number. For example, when the display shows “**0Er**” it means there is some type of error with the Pan motor. If there are multiple errors during the start-up process, they will all flash in the display. For example: if the fixtures have errors on **Channel 1, 2, and 5** all at the same time, you will see the error message “**01Er**”, “**02Er**”, and “**05Er**” flash repeated 5 times.

If an error does occur during the initial start-up procedure the fixture will self-generate a second reset signal and try to realign all the motors and correct the errors. If the error persists after a second attempt a third attempt will be made. If after a third attempt all the errors have not been corrected the fixture will make the following determinations:

- **3 or More Errors:** The fixture cannot function properly with three or more errors therefore the fixture will place itself in a stand-by mode until subsequent repairs can be made.
- **Less Than 3 Errors:** The fixture has less than 3 errors; therefore, most other functions will work properly. The fixture will attempt to operate normally until the errors can be corrected by a technician. The errors in question will remain flashing in the display as a reminder of internal errors.

ERROR CODES

Error Codes are subject to change without any prior written notice.

ERROR CODES	DESCRIPTION
PAN Er	Movement is not located in the default position after the reset. This message will appear after a fixture reset if the magnetic-indexing circuit malfunctions (sensor failed, or magnet is missing) or there is a motor failure (defective motor or a defective motor IC drive on the main PCB). This error may also be displayed if the head/yoke was blocked during a reset function.
TILT Er	
Cyan Color Wheel Er	Movement is not located in the default position after the reset. This message will appear after a fixture reset if the magnetic-indexing circuit malfunctions (sensor failed, or magnet is missing) or there is a motor failure (defective motor or a defective motor IC drive on the main PCB).
Magenta Color Wheel Er	
Yellow Color Wheel Er	
CTO Color Wheel Er	
Color Wheel Er	
Gobo Wheel 1 Er	
Gobo Rot. 1 Wheel Er	
Fixed Gobo Wheel Er	
Animation Wheel Er	
Prim 1 Wheel Er	
Prism Rot. 1 Wheel Er	
Prism 2 Wheel Er	
Prism Rot. 2 Wheel Er	
Zoom Wheel Er	
Focus Wheel Er	
Frost 1 Wheel Er	
Frost 2 Wheel Er	
Iris Wheel Er	
Blade 1 Wheel Er	
Blade 1 Rot Wheel Er	
Blade 2 Wheel Er	
Blade 2 Rot Wheel Er	
Blade 3 Wheel Er	
Blade 3 Rot Wheel Er	
Blade 4 Wheel Er	
Blade 4 Rot Wheel Er	
Frame Rot Wheel Er	

SPECIFICATIONS

SOURCE

620W 6,800K Cool White LED Engine

30,000 Hour Average LED Life*

*Test lab conditions. May vary depending on several factors including but not limited to:
Environmental Conditions, Power/Voltage, Usage Patterns (On-Off Cycling), Control, and Dimming.

PHOTOMETRIC DATA

23,000+ Total Lumen Output

CRI 73 (87+ with HCRI filter)

Zoom Range 7° - 55°

Beam Angle 6.7° - 47.9°

Field Angle 8.2° - 56°

EFFECTS

Motorized Zoom

4 Rotating Full Blackout Framing Blades

+/-45° Framing Indexing

Full 360° Bi-Directional Animation Wheel

4-Facet and Linear Rotating Prisms

2 Frost Filters

Internal Color, Framing, Prism, and Frost Macros

Motorized Iris with Variable Pulse Effects

Variable 16-bit Dimming Curve Modes

High Speed Electronic Shutter and Strobe

Adjustable LED Refresh Rate Frequency and Gamma

COLOR

Full CMY Color Mixing System

Linear CTO Color Correction

6 Dichroic Colors including High 87 CRI Filter

GOBOS

2 Gobo Wheels

7 Rotating / Indexing Interchangeable Glass Gobos

7 Interchangeable Static-Stamped Metal Gobos

CONTROL / CONNECTIONS

2 DMX Channel Modes (36 / 62 channels)

16-bit Pan, Tilt, and Dimming Control

Motorized Focus and 5-15m Auto-Focus Presets

DMX, RDM, Art-NET, and sACN Protocol Support

Elation's E-FLY™ Internal Wireless DMX Transceiver

6 Button Touch Control Panel

Full Color 180° Reversible LCD Menu Display

8 / 16 Bit Resolution Adjustable Movement

Hibernation Mode (Power Save)

Locking 5pin XLR DMX, RJ45 Ethernet, and Power

With Wired Digital Communication Network

SIZE / WEIGHT

Length: 18.0" (457mm)

Width: 21.5" (544.5mm)

Vertical Height: 29.8" (757.5mm)

Weight: 84.0 lbs. (38.1kg)

ELECTRICAL / THERMAL

AC 100-240V - 50/60Hz

1000W Max Power Consumption

14°F to 113°F (-10°C to 45°C)

BTU/hr (+/- 10%) 3410

APPROVALS / RATINGS

CE | cETLus | IP20

Specifications and improvements in the design of this unit and this manual are subject to change without any prior written notice.

FCC STATEMENT

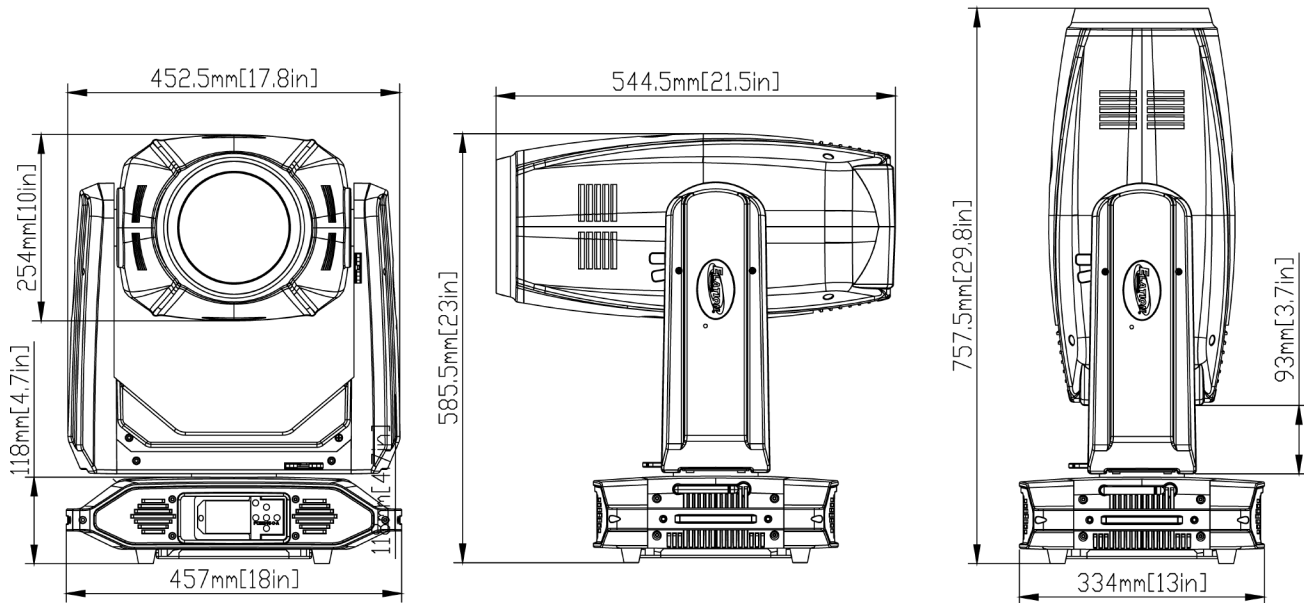
This device complies with Part 15 of the FCC Rules. Operation is subject to the following two conditions: (1) this device may not cause harmful interference, and (2) this device must accept any interference received, including interference that may cause undesired operation.

FCC RADIO FREQUENCY INTERFERENCE WARNINGS & INSTRUCTIONS

This product has been tested and found to comply with the limits as per Part 15 of the FCC Rules. These limits are designed to provide reasonable protection against harmful interference in a residential installation. This device uses and can radiate radio frequency energy and, if not installed and used in accordance with the included instructions, may cause harmful interference to radio communications. However, there is no guarantee that interference will not occur in a particular installation. If this device does cause harmful interference to radio or television reception, which can be determined by turning the device off and on, the user is encouraged to try to correct the interference by one or more of the following methods:

- Reorient or relocate the device.
- Increase the separation between the device and the receiver.
- Connect the device to an electrical outlet on a circuit different from which the radio receiver is connected.
- Consult the dealer or an experienced radio/TV technician for help.

DIMENSIONAL DRAWINGS



Specifications and improvements in the design of this unit and this manual are subject to change without any prior written notice.

OPTIONAL ACCESSORIES

ORDER CODE	ITEM
TRIGGER CLAMP	Heavy Duty Wrap Around Hook Style Clamp
DRCPICASSO	Dual Split Road Case for ARTISTE PICASSO
EFL001	E-FLY™ External Wireless DMX Transceiver
AC5PDMX5PRO	5 ft. (1.5m) 5pin PRO DMX Cable
CAT6PRO5	5 ft. (1.5m) CAT6 Cable
	Additional Cable Lengths Available

FCC STATEMENT

This device complies with Part 15 of the FCC Rules. Operation is subject to the following two conditions: (1) this device may not cause harmful interference, and (2) this device must accept any interference received, including interference that may cause undesired operation.

FCC RADIO FREQUENCY INTERFERENCE WARNINGS & INSTRUCTIONS

This product has been tested and found to comply with the limits as per Part 15 of the FCC Rules. These limits are designed to provide reasonable protection against harmful interference in a residential installation. This device uses and can radiate radio frequency energy and, if not installed and used in accordance with the included instructions, may cause harmful interference to radio communications. However, there is no guarantee that interference will not occur in a particular installation. If this device does cause harmful interference to radio or television reception, which can be determined by turning the device off and on, the user is encouraged to try to correct the interference by one or more of the following methods:

- Reorient or relocate the device.
- Increase the separation between the device and the receiver.
- Connect the device to an electrical outlet on a circuit different from which the radio receiver is connected.
- Consult the dealer or an experienced radio/TV technician for help.

Europe Energy Saving Notice

Energy Saving Matters (EuP 2009/125/EC)

Saving electric energy is a key to help protecting the environment. Please turn off all electrical products when they are not in use. To avoid power consumption in idle mode, disconnect all electrical equipment from power when not in use. Thank you.



